

# 承认书

## APPROVAL SHEET

客户 CUSTOMER:

---

产品类别 PRODUCT SERIET: Rotary carbon potentiometer

---

产品型号 MODEL NO. :WH0162-1J-B10K L19-30T

---

常州永久电子科技有限公司

CHANGZHOU PERPETUAL ELECTRONIC TECHNOLOGY CO.,LTD.

公司地址: 江苏省常州市礼嘉镇

LiJiang Town Changzhou Jiangsu China

Tel:0086-519-88061162

Fax:0086-519-88061162

E-mail:fanny@china-potentiometer.com

Http://www.china-potentiometer.com

## 1. ELECTRICAL CHARACTERISTICS 电气特性

Item	Item 項目	Specification 规格
1.1	Resistance value and tolerance of resistance 阻值及容许偏差	B10K±20%
1.2	Load power 负载功率	0.1 W
1.3	Rotational noise 旋转杂音	47mV max
1.4	Insulation Resistance 绝缘电阻	>100MΩ At 500V DC
1.5	Withstanding Voltage 耐电压	>1Minute At 500V AC
1.6	Max rated voltage 最大工作电压	100V AC
1.7	Tracking error 双联同步误差	
1.8	Residual resistance 残留阻抗	R1,2<10Ω ; R2,3<10Ω
1.9	Switch contact resistance 开关接触阻抗	
1.10	Switch power 开关电力	

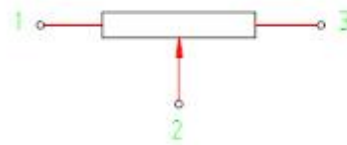
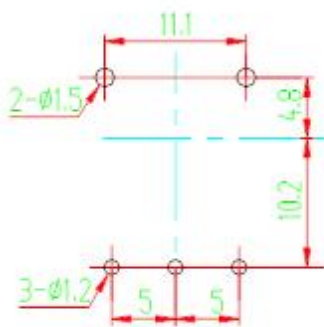
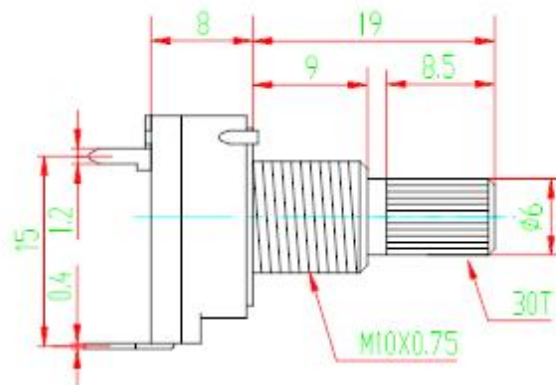
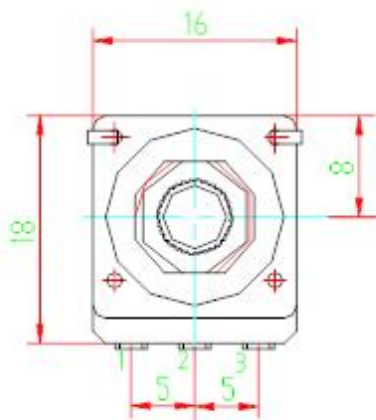
## 2. MECHANICAL CHARACTERISTICS 机械特性

2.1	Dimensions 外形尺寸	Refer to the separate product drawing
2.2	Total rotation angle 全回转角度	300±5°
2.3	Rotational Torque 旋转力矩	20~200gf.cm
2.4	Switch working angle 开关动作角度	
2.5	Switch torque 开关力矩	
2.6	Shaft Push& Pull Strength 轴推拉强度	≤6kgf
2.7	Click slip-out force 定位点起动力	
2.8	Shaft Wobble (mm p-p)轴摆动	≤0.3mm
2.9	Shaft Stop Strength 止挡强度	≤4kg.cm

## 3. DURABILITY CHARACTERISTICS 耐久特性

3.1	Rotating life 旋转寿命	10,000 cycles
3.2	Storage Temperature Range 储藏温度范围	-30℃~+80℃
3.3	Operation Temperature Range 使用温度范围	-30℃~+70℃
3.4	Soldering Heat Characteristic 耐焊锡热	260° C/2.5±0.5S

HANGZHOU PERPETUAL ELECTRONIC TECHNOLOGY CO.,LTD.				LOT.NO 样板编号	
DWN 拟制	DHK 审核	APPO 批准	DATE 日期	MODER. 型号	WH0162-1J L19-30T
陈东		韩高峰	2021-7-21	DESCRIPI ON 描述	Rotary carbon potentiometer 旋转式碳膜电位器



2				5		
1				4		
	DATE	REVISION	APPROVED	3		