

# 承认书

## APPROVAL SHEET

客户 CUSTOMER:

---

产品类别 PRODUCT SERIET: Rotary carbon potentiometer

---

产品型号 MODEL NO. :WH148-1A-1-B10K-L15-18T

---

常州永久电子科技有限公司

CHANGZHOU PERPETUAL ELECTRONIC TECHNOLOGY CO.,LTD.

公司地址: 江苏省常州市礼嘉镇  
LiJiang Town Changzhou Jiangsu China  
Tel:0086-519-86232182  
Fax:0086-519-88061162  
E-mail:fanny@china-potentiometer.com  
<http://www.china-potentiometer.com>

## 1. ELECTRICAL CHARACTERISTICS 电气特性

Item	Item 項目	Specification 規格
1.1	Resistance value and tolerance of resistance 阻值及容许偏差	B10K±20%
1.2	Load power 负载功率	0.1 W
1.3	Rotational noise 旋转杂音	47mV max
1.4	Insulation Resistance 绝缘电阻	>100MΩ At 200V DC
1.5	Withstanding Voltage 耐电压	>1Minute At 250V AC
1.6	Max rated voltage 最大工作电压	50V AC
1.7	Tracking error 双联同步误差	
1.8	Residual resistance 残留阻抗	R1,2<10Ω ; R2,3<10Ω

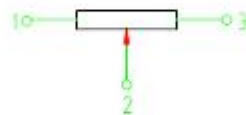
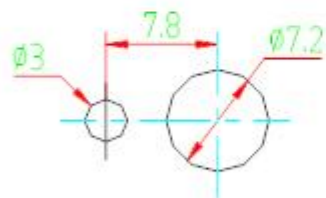
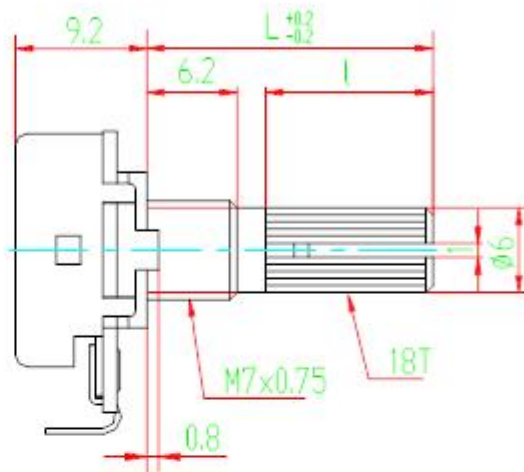
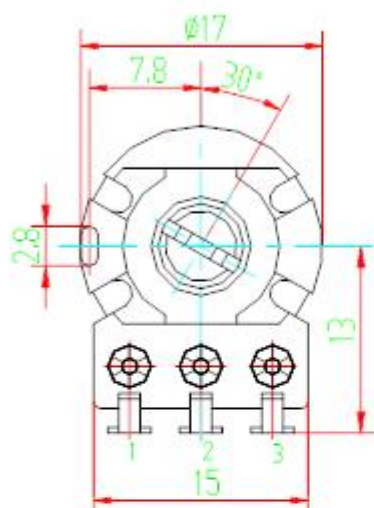
## 2. MECHANICAL CHARACTERISTICS 机械特性

2.1	Dimensions 外形尺寸	Refer to the separate product drawing
2.2	Total rotation angle 全回转角度	300±5°
2.3	Effective electrical angle 有效电气角度	
2.4	Rotational torque 旋转力矩	10~50gf.cm
2.5	Shaft Push& pull Strength 轴推拉强度	≤8kgf
2.6	Click slip-out force 定位点起动力	
2.7	Shaft wobble (mm p-p)轴摆动	≤0.3mm
2.8	Shaft stop Strength 止挡强度	≤5kg.cm
2.9	Shaft wobble (mm p-p)轴摆动	≤0.3mm
2.10	Rotating life 旋转寿命	10,000 cycles

## 3 3. DURABILITY CHARACTERISTICS 耐久特性

3.1	Storage Temperature Range 储藏温度范围	-30℃~+80℃
3.2	Operation Temperature Range 使用温度范围	-20℃~+70℃
3.3	Soldering Heat Characteristic 耐焊锡热	260° C/2.5±0.5S

CHANGZHOU PERPETUAL ELECTRONIC TECHNOLOGY CO.,LTD.				LOT.NO 样板编号	
				MODER. 型号	WH148-1A-1
DWN 拟制	DHK 审核	APPO 批准	DATE 日期	DESCRIPI ON 描述	RotaryCarbon Potentiometer 旋转式碳膜电位器
陈东		韩高峰	2020-11-25		



L	12	15	18	20
l	4.5	7	12	12

2				5		
1				4		
	DATE	REVISION	APPROVED	3		
			MODER:	WH148-1A-1-18T		DRAWING NO: